

# 207 SERIES

## Vertical Hold Down Clamps | Product Overview

### Features:

- Largest selection of arm and mounting options
- Low profile T-Handle version available
- Available in stainless steel
- BLK models feature a black, non-reflective finish

### Applications:

- Checking fixtures
- Assembly & test
- Light machining
- Woodworking

### Also Available:

See page MC-ACC-1 for accessories

**807-U** Pneumatic toggle clamp  
(See page MC-PTC-8)

**807-S** Pneumatic toggle clamp  
(See page MC-PTC-8)

Accepts M8 or 5/16 spindle accessories

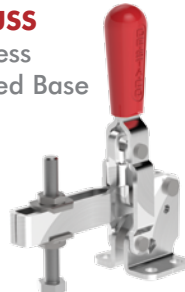
**207-U**  
Flanged Base  
U-Bar



**207-UL**  
Flanged Base  
Long U-Bar



**207-USS**  
Stainless  
Flanged Base  
U-Bar



**207-S**  
Flanged Base  
Solid Bar



**207-L**  
Flanged Base  
Long Solid Bar



**207-TU**  
Flanged Base  
T-Handle  
U-Bar



**207-TUL**  
Flanged Base  
T-Handle  
Long U-Bar



**207-UR**  
Flanged Base  
U-Bar  
with  
DESTACO®  
Toggle Lock  
Plus



**207-LR**  
Flanged Base  
Long Solid Bar  
with  
DESTACO®  
Toggle Lock  
Plus



**207-UB**  
Straight Base  
U-Bar



**207-ULB**  
Straight Base  
Long U-Bar



**207-SB**  
Straight Base  
Solid Bar



**207-LB**  
Straight Base  
Long Solid  
Bar



**207-LBR** ⓘ  
Straight Base  
Long Solid  
Bar with  
DESTACO®  
Toggle Lock  
Plus



**207-UF** ⓘ  
U-Bar  
Dual Mount



**207-SF** ⓘ  
Solid Bar  
Dual Mount



**207-U-L** ⓘ  
Flange Base  
Open Bar



**207-U-L-BLK**  
Blackout Series  
Flanged Base  
Open U-Bar



**207-UB-L** ⓘ  
Straight Base  
Open Bar



**207-UB-L-BLK**  
Blackout Series  
Straight Base  
Open U-Bar



207305

Flanged Grip. Provides added safety and protection. Fits all 207 Series (except T-Handle) clamps. Order separately.

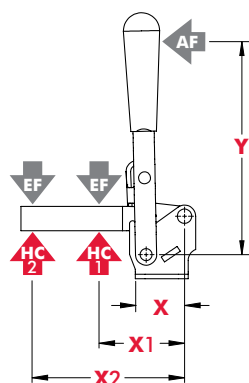


ⓘ This item is available upon request

Model	Max. Holding Capacity	Clamp Bar Opening (+10°)	Handle Opening (+10°)	Weight	Accessories (Supplied)				
					Bolt Retainer	Spindle Assembly	Flanged Washers		
207-U	1670 N [375 lbf]	99°	57°	0,30kg [0.67lb]	---	225208-M	507107		
207-UR				0,45kg [1.00lb]					
207-UL				0,30kg [.67lb]					
207-USS	2000 N [450 lbf]			---	207943-M	507907			
207-S	2220 N [500 lbf]			---	---	0,31kg [0.69lb]	207105	---	---
207-L						0,34kg [0.74lb]			
207-LR						0,45kg [1.00lb]			
207-UB	1670 N [375 lbf]			---	---	0,33kg [0.72lb]	---	225208-M	507107
207-ULB									
207-SB	2220 N [500 lbf]			---	---	0,31kg [0.69lb]	207105	---	---
207-LB						0,34kg [0.75lb]			
207-LBR ⓘ						0,45kg [1.00lb]			
207-TU	1670 N [375 lbf]			---	---	0,33kg [0.72lb]	---	---	507107
207-TUL									
207-UF ⓘ	1670 N [375 lbf]			96°	56°	0,43kg [0.94lb]	---	225208-M	507107
207-SF ⓘ	2220 N [500 lbf]	90°	---	0,38kg [0.84lb]	207105	---	---		
207-U-L ⓘ	1670 N [375 lbf]	99°	57°	0,38kg [0.84lb]	---	---	507107		
207-U-L-BLK ⓘ							507107-BLK		
207-UB-L ⓘ							507107		
207-UB-L-BLK ⓘ							507107-BLK		

ⓘ This item is available upon request

### Holding Capacities



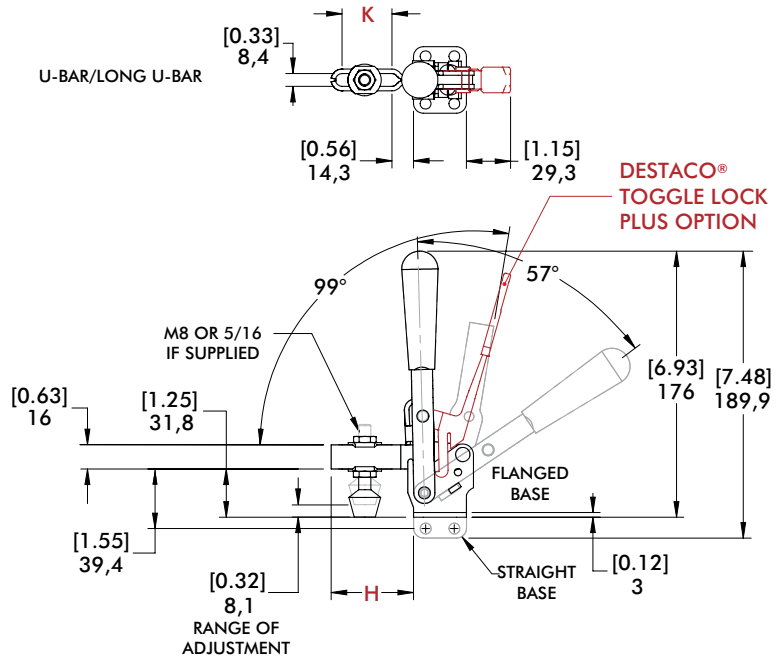
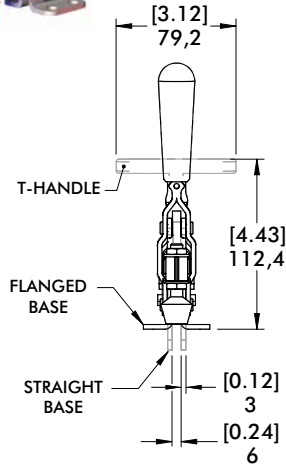
Model	X	X1	X2	Y	±HC1	±HC2	±EF(X1):AF	±EF(X2):AF
U/UB/UR	[1.28] 32,6	[2.00] 50,8	[3.75] 95,3	[4.90] 124,5	[375 lbf] 1670N	[225 lbf] 1000N	12:1	6:1
UL/ULB		[3.88] 98,5	[5.00] 127			[150 lbf] 670N		
USS		[2.00] 50,8	[3.75] 95,3		[450 lbf] 2000N	[240 lbf] 1070N		
S/SB		[2.88] 73,0	[5.00] 127	[3.66] 9	[500 lbf] 2220N	[350 lbf] 1560N	10:1	7:1
L/LR LB/LBR		[2.88] 73,0			[5.00] 127	[375 lbf] 1670N		
TU		[2.00] 50,8	[3.75] 95,3	[3.66] 9	[375 lbf] 1670N	[225 lbf] 1000N	6:1	4:1
TUL		[3.88] 98,5	[5.00] 127	9	[375 lbf] 1670N	[150 lbf] 670N	4:1	3:1
U-L		[2.00] 50,8	[3.75] 95,3	[4.90] 124,5	[375 lbf] 1670N	[2225 lbf] 1000N	12:1	6:1
UB-L		[2.00] 50,8	[3.75] 95,3	[4.90] 124,5	[375 lbf] 1670N	[2225 lbf] 1000N		

Dimensions shown "mm [inch]" ± HC = Holding Capacity, EF = Exerting Force, AF = Applied Force

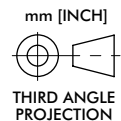
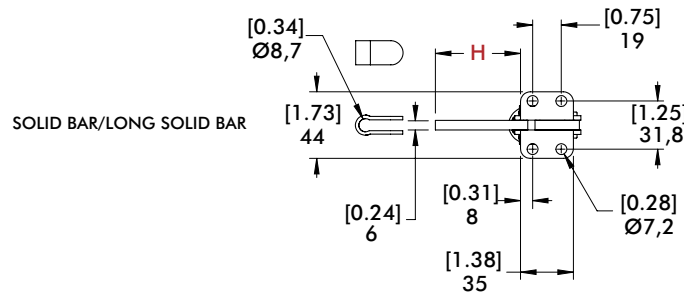
# 207 SERIES

## Vertical Hold Down Clamps | Dimensions | -U/-UL/-S/-L/-TU/-TUL/-UR/-LR/-UB/-ULB/-SB/-LB/-LBR

### 207-U Flanged Base U-Bar



### 207-SB Straight Base Solid Bar

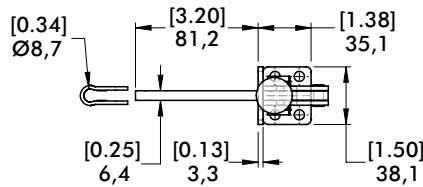
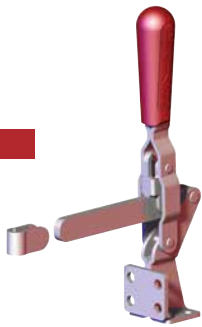


Bar Style	Clamp Models	H	K
	207-U/207-UR/207-TU/207-UB	[2.14] 54,4	[1.30] 33
	207-UL/207-ULB/207-TUL	[3.84] 97,6	[2.94] 74,6
	207-S/207-SB	[2.21] 56,2	---
	207-L/207-LR/207-LB/207-LBR ⓘ	[3.48] 88,4	---

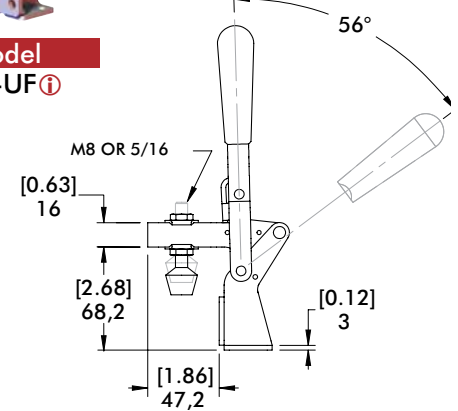
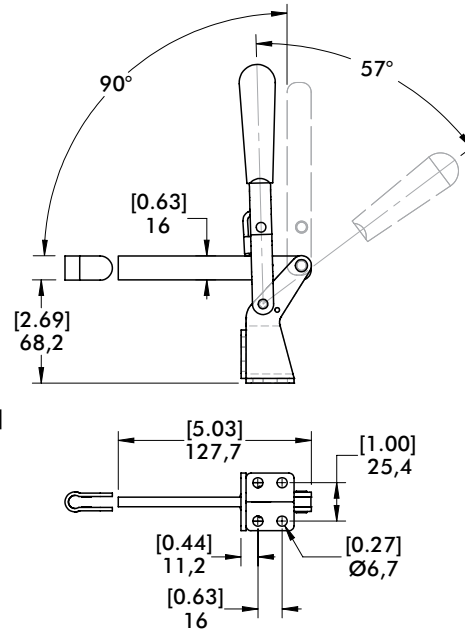
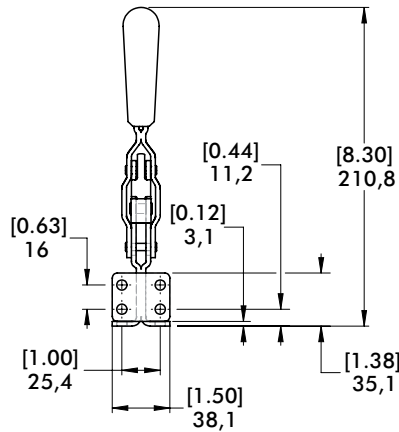
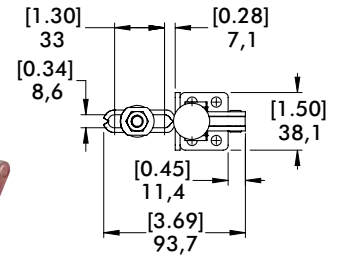
ⓘ This item is available upon request

## Vertical Hold Down Clamps | Dimensions | Dual Mount

**Model**  
**207-SF** ⓘ



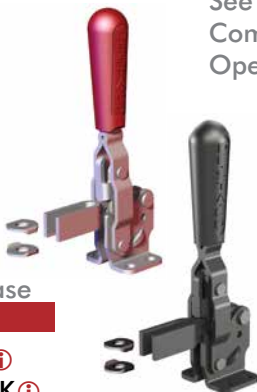
**Model**  
**207-UF** ⓘ



ⓘ This item is available upon request

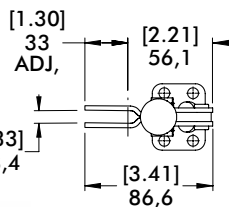
### Open Bar Option

See page MC-ACC-7 for Complete offering of Open bar accessories

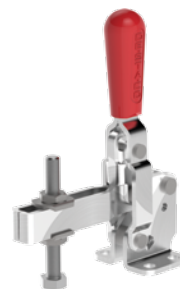


**Flanged Base**  
**Model**

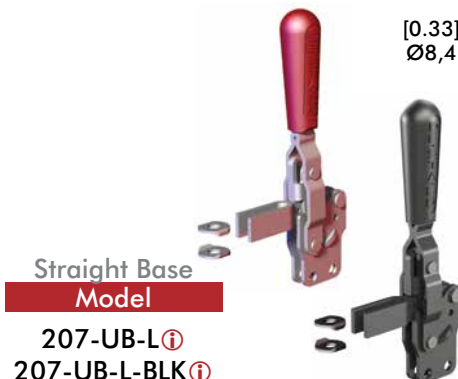
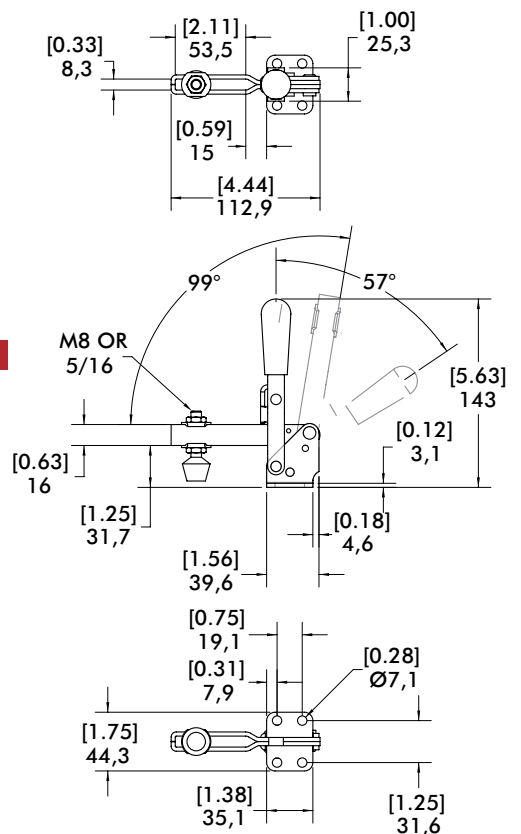
**207-U-L** ⓘ  
**207-U-L-BLK** ⓘ



### Stainless Steel



**Model**  
**207-USS**



**Straight Base**  
**Model**

**207-UB-L** ⓘ  
**207-UB-L-BLK** ⓘ

